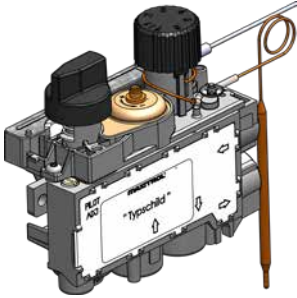
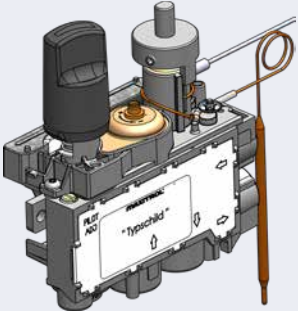
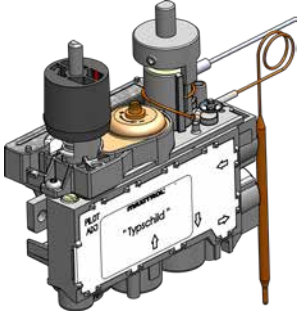
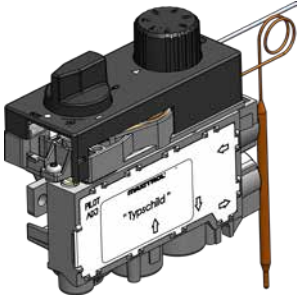
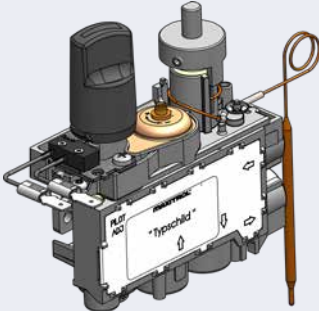
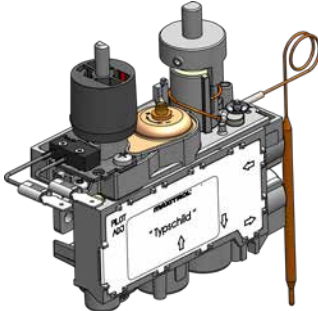
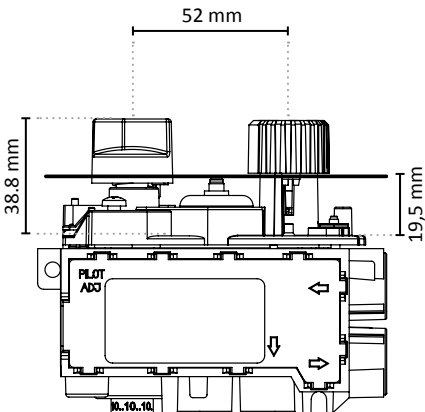
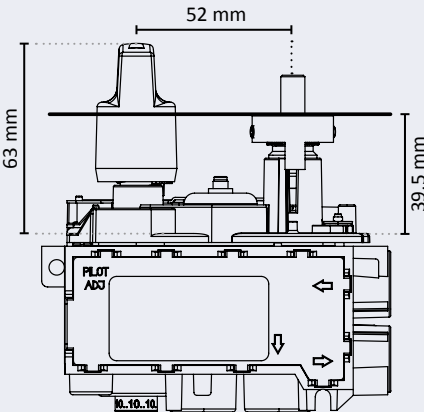
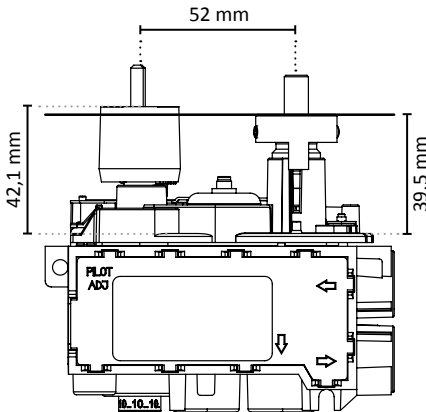



GV30 Series

Combination Gas Control Valves

GV30 VALVE and KNOB VERSIONS

Operating Knob: Standard Temperature Knob: Standard	Operating Knob: High Temperature Knob: D-Stem (custom)	Operating Knob: D-Stem (custom) Temperature Knob: D-Stem (custom)
		
<ul style="list-style-type: none"> ■ Piezo ignition 	<ul style="list-style-type: none"> ■ Piezo ignition ■ Standard operating knob high ■ Temperature knob D-Stem (standard) (Ø 8.0) 	<ul style="list-style-type: none"> ■ Piezo ignition ■ Operating knob high (shortened) with D-Stem (Ø 6.0 mm) ■ Temperature knob D-Stem (standard) (Ø 8.0)
		
<ul style="list-style-type: none"> ■ Piezo ignition ■ with cover 	<ul style="list-style-type: none"> ■ Electrical ignition ■ Standard operating knob high ■ Temperature knob D-Stem (standard) (Ø 8.0) 	<ul style="list-style-type: none"> ■ Electrical ignition ■ Operating knob high (shortened) with D-Stem (Ø 6.0 mm) ■ Temperature knob D-Stem (standard) (Ø 8.0)
		

Operating Knob: Standard Temperature Knob: Standard	Operating Knob: High Temperature Knob: D-Stem (custom)	Operating Knob: D-Stem (custom) Temperature Knob: D-Stem (custom)
		
		

All models are available without ignition for the use with a separate ignition device.

Illustrations are for example only and may vary depending on the configuration.